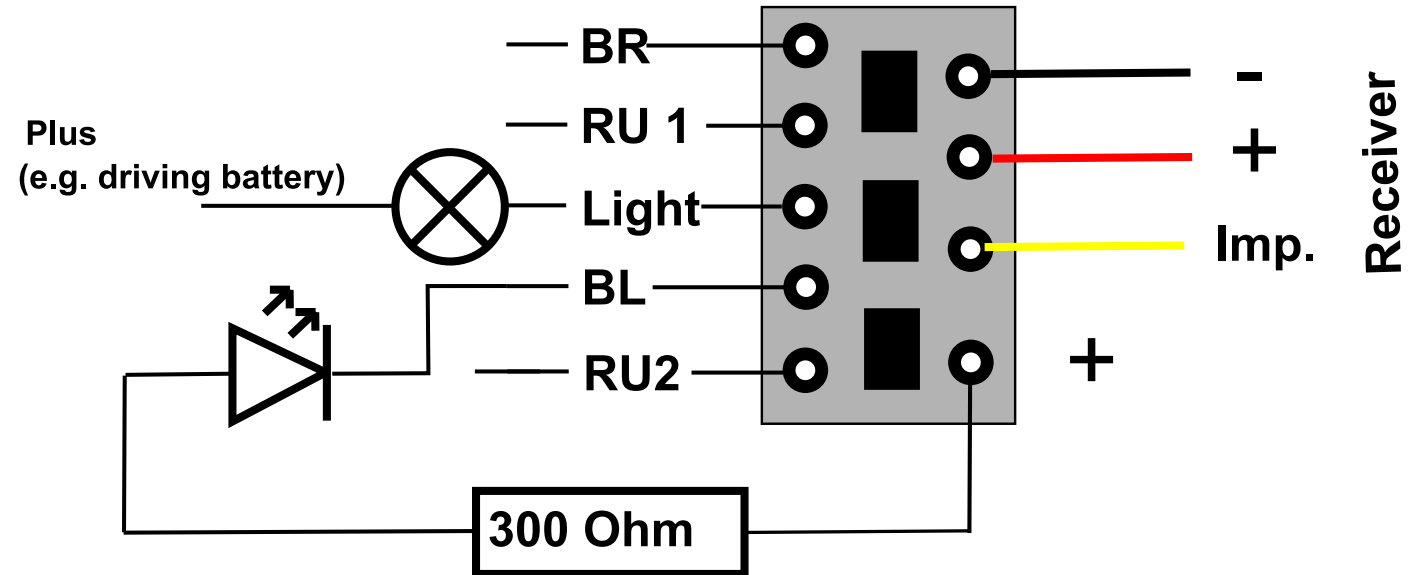


Circuit diagram MicroALF



- BR** Right blinker
- RU 1** All around light 1
- Light** Driving lights
- BL** Left blinker
- RU 2** All around light 2