

MANUAL

LIGHTING FUNCTIONAL COMPONENT MicroALF

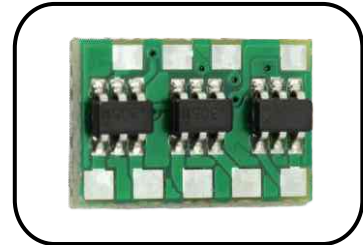
Order no. 19600

Module for controlling the light function with an FM transmitter

MicroALF - function, instructions and operation

This module is characterized by the most modern functions in the smallest of spaces. With the MicroALF, 5 individual switching channels can be switched on / off with just one stick. Each individual switching channel can be loaded with 500 mA, whereby the total current consumption should not exceed 1.8 A.

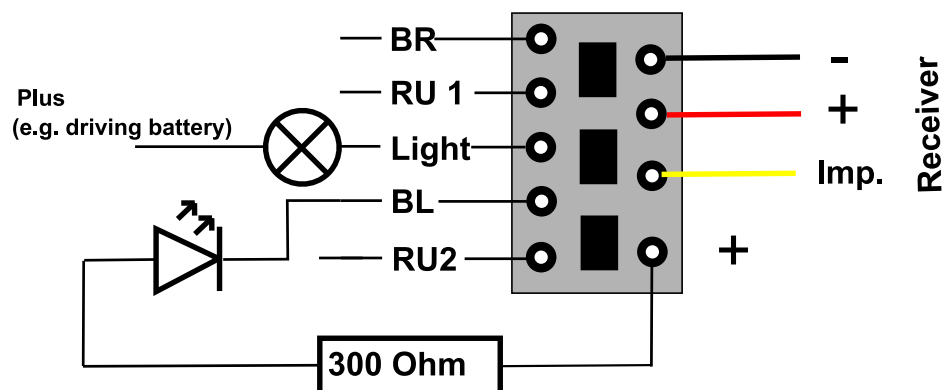
The MicroALF switches the minus through. The respective consumer must be supplied with plus on the other side. This can be done for one done from the positive connection on the circuit board. However, the plus can also be taken from the drive battery, e.g. 7.2 V. Consumers (depending on the drive battery) can be switched with the module. Even the mixed operation (Turn signals with 4.8V and LED as well as 7.2V headlights) poses no problem. Of course, you have to when using LEDs, the corresponding series resistors must be taken into account.



Size: 12 x 7.8 x 3.1 mm

Technical specifications	MicroALF
Operating voltage in V	2.7 - 5
Light outputs	5
Output power per light output in mA	500
Weight without cable in g	0.42
Dimensions in mm (l x w x h)	12 x 7.8 x 3.1
Exit for headlights	yes
Output for left and right turn signals	yes
Output for 2x all-round light	yes
Functions	Driving lights, indicators, hazard warning lights, rotating beacons

Circuit



- BR** Right blinker
- RU 1** All around light 1
- Light** Driving lights
- BL** Left blinker
- RU 2** All around light 2

MANUAL

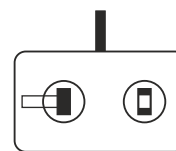
LIGHTING FUNCTIONAL COMPONENT MicroALF

Order no. 19600

Module for controlling the light function with an FM transmitter

Control of the 6 functions by the FM transmitter

Within 1 second	Function
1 x less than zero point	right turn signal on / off
2 x smaller than zero point	light on / off
3 x less than zero point	hazard warning lights on / off
1 x greater than zero point	left turn signal on / off
2 x greater than zero point	Rotating beacons on / off
3 x greater than zero point	running light



Example of use of the left stick

Constant signal monitoring with failsafe functionality

In the case of permanently faulty signals at a pulse input, the respective Function deactivated until valid signals are present again.

Safety instructions for a long service life:

Before the ALF is put into operation for the first time, the following checks should be carried out: to avoid destroying the controller:

- Check the polarity of the operating voltage
- Check the motor outputs for short circuits



In the event of malfunctions or malfunctions of the ALF, read please see our notes on suggested solutions www.1zu87modellbau.de - here you can also find Tips for interference suppression.

Running light: left indicator -> right indicator -> light -> blue1 -> blue2